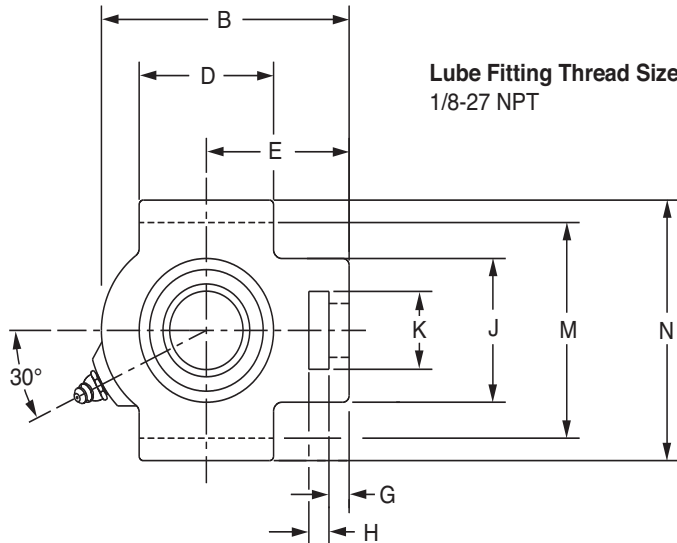


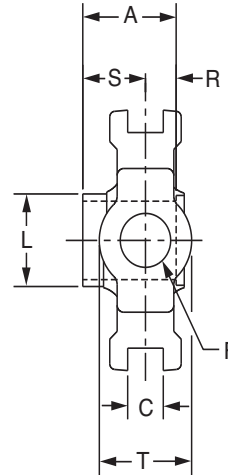


# SELECTION/DIMENSIONS

## Setscrew VSC Ball Bearings VSC INTERMEDIATE DUTY WIDE SLOT TAKE-UP BEARINGS



Lube Fitting Thread Size:  
1/8-27 NPT



Series	Shaft Size	Part No.	Description
204	3/4	<b>125549</b>	WSTU-VSC-012
	20mm	@	WSTU-VSC-20M
205	7/8	<b>125550</b>	WSTU-VSC-014
	15/16	<b>125551</b>	WSTU-VSC-015
	1	<b>125552</b>	WSTU-VSC-100
	25mm	@	WSTU-VSC-25M
206	1-1/8	<b>125553</b>	WSTU-VSC-102
	1-3/16	<b>125554</b>	WSTU-VSC-103
	1-1/4	<b>125556</b>	WSTU-VSC-104S
	30mm	@	WSTU-VSC-30M
207	1-1/4	<b>125555</b>	WSTU-VSC-104
	1-3/8	<b>125557</b>	WSTU-VSC-106
	1-7/16	<b>125558</b>	WSTU-VSC-107
	35mm	@	WSTU-VSC-35M

@ Assembled to order

FEATURES/BENEFITS  
PAGE B8-2

HOW TO ORDER/NOMENCLATURE  
PAGE B4-5

EASY SELECTION  
PAGE B8-3

ACCESSORIES  
PAGE B8-26

Eccentric Collar Ball Bearings  
Setscrew VSC Ball Bearing  
Eccentric SXV Collar Ball Bearing  
Take-Up Frames  
Engineering  
Part Number Index  
Keyword Index

# SELECTION/DIMENSIONS



## Setscrew VSC Ball Bearings VSC INTERMEDIATE DUTY WIDE SLOT TAKE-UP BEARINGS

Eccentric Collar Ball Bearing

Setscrew VSC Ball Bearing

Eccentric SXV Collar Ball Bearing

Take-Up Frames

Engineering

Part Number Index

Keyword Index

Series	Shaft Size	Weight lbs. kg.	Take-Up Frame No. Ref.	A	B	C	D	E	F Screw Dia.	G	
204	3/4	1.9	WS300	1.23	3.69	0.531	2.00	2.38	5/8	0.38	
	20mm	0.87		31.2	93.7	13.49	50.8	60.5	15.9	9.7	
205	7/8	2.2	WS300	1.34	3.81	0.531	2.00	2.44	5/8	0.38	
	15/16	2.1		34.0	96.8	13.49	50.8	62.0	15.9	9.7	
	1	2.0		25mm	0.96						
206	1-1/8	3.0	WS308	1.52	4.38	0.531	2.25	2.75	3/4	0.38	
	1-3/16	2.9		38.6	111.3	13.49	57.2	69.9	19.1	9.7	
	1-1/4	2.8		30mm	1.33						
	30mm	1.33									
207	1-1/4	3.8	WS308	1.71	4.87	0.531	2.50	3.06	3/4	0.50	
	1-3/8	3.6		43.4	123.7	13.49	63.5	77.7	19.1	12.7	
	1-7/16	3.5									
	35mm	1.65									

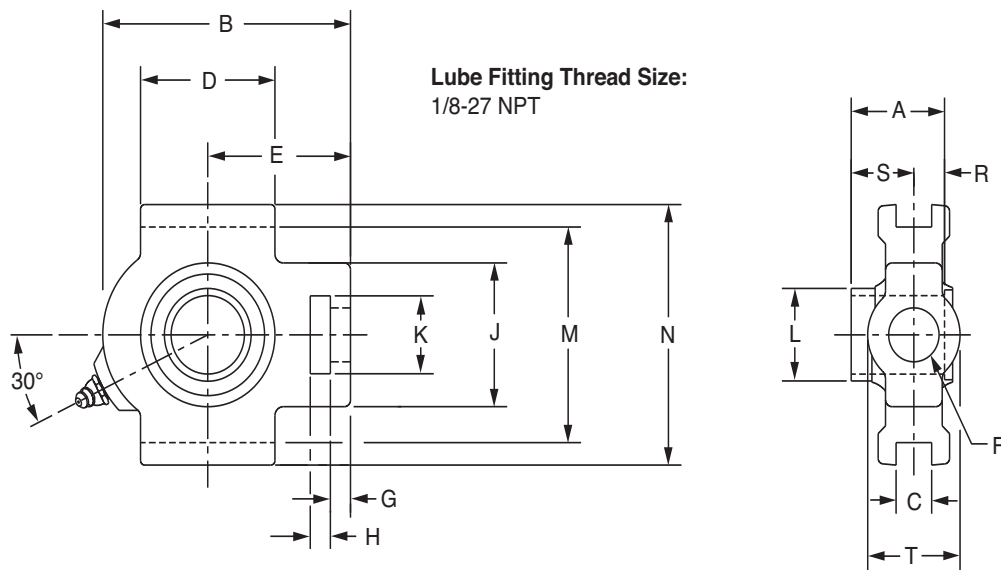
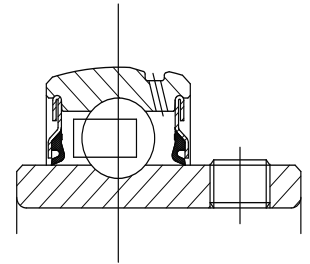
Series	Shaft Size	H	J	K	L	M	N	R	S	T
204	3/4	0.63	2.00	1.25	1.12	2.985/3.015	3.63	0.50	0.73	1.38
	20mm	16.0	50.8	31.8	28.4	75.82/76.58	92.2	12.7	18.5	35.1
205	7/8	0.63	2.00	1.31	1.32	2.985/3.015	3.63	0.56	0.78	1.38
	15/16									
	1									
206	25mm	16.0	50.8	33.3	33.5	75.82/76.58	92.2	14.2	19.8	35.1
	1-1/8	0.63	2.19	1.44	1.57	3.480/3.510	4.13	0.58	0.94	1.63
	1-3/16									
	1-1/4									
207	30mm	16.0	55.6	36.6	39.9	88.39/89.15	104.9	14.7	23.9	41.3
	1-1/4	0.63	2.50	1.44	1.84	3.480/3.510	4.13	0.67	1.04	1.63
	1-3/8									
	1-7/16									
207	35mm	16.0	63.5	36.6	46.7	88.39/89.15	104.9	17.0	26.4	41.3

FEATURES/BENEFITS PAGE B8-2	HOW TO ORDER/NOMENCLATURE PAGE B4-5	EASY SELECTION PAGE B8-3	ACCESSORIES PAGE B8-26
--------------------------------	--	-----------------------------	---------------------------



# SELECTION/DIMENSIONS

## Setscrew VSC Ball Bearings VSC INTERMEDIATE DUTY WIDE SLOT TAKE-UP BEARINGS



Series	Shaft Size	Part No.	Description
208	1-1/2	<b>125559</b>	WSTU-VSC-108
	40mm	@	WSTU-VSC-40M
209	1-11/16	<b>125560</b>	WSTU-VSC-111
	1-3/4	<b>125561</b>	WSTU-VSC-112
	45mm	@	WSTU-VSC-45M
210	1-15/16	<b>125562</b>	WSTU-VSC-115
	2	<b>125563</b>	WSTU-VSC-200
	50mm	@	WSTU-VSC-50M
211	2	<b>125564</b>	WSTU-VSC-200L
	2-3/16	<b>125565</b>	WSTU-VSC-203
	55mm	@	WSTU-VSC-55M

@ Assembled to order

FEATURES/BENEFITS  
PAGE B8-2

HOW TO ORDER/NOMENCLATURE  
PAGE B4-5

EASY SELECTION  
PAGE B8-3

ACCESSORIES  
PAGE B8-26

Eccentric Collar Ball Bearings  
 Setscrew VSC Ball Bearing  
 Eccentric SXV Collar Ball Bearing  
 Take-Up Frames  
 Engineering  
 Part Number Index  
 Keyword Index

# SELECTION/DIMENSIONS



## Setscrew VSC Ball Bearings VSC INTERMEDIATE DUTY WIDE SLOT TAKE-UP BEARINGS

Eccentric Collar Ball Bearing

Setscrew VSC Ball Bearing

Eccentric SXV Collar Ball Bearing

Take-Up Frames

Engineering

Part Number Index

Keyword Index

Series	Shaft Size	Weight lbs. kg.	Take-Up Frame No. Ref.	A	B	C	D	E	F Screw Dia.	G
208	1-1/2	6.1	WS400	1.94	5.69	0.688	3.25	3.50	1	0.63
	40mm	2.80		49.3	144.5	17.48	82.6	88.9	25.4	16.0
209	1-11/16	6.0	WS400	1.94	5.63	0.688	3.25	3.44	1	0.63
	1-3/4	5.9		49.3	143.0	17.48	82.6	87.4	25.4	16.0
210	1-15/16	6.4	WS400	1.94	5.82	0.688	3.38	3.56	1	0.63
	2	6.2		49.3	147.8	17.48	85.9	90.4	25.4	16.0
211	50mm	2.94	WS502	2.22	6.69	1.063	3.75	4.19	1-1/4	0.75
	2	10.1		56.4	169.9	27.00	95.3	106.4	31.8	19.1
211	2-3/16	10.0								
	55mm	4.65								

Series	Shaft Size	H	J	K	L	M	N	R	S	T
208	1-1/2	0.75	3.25	1.94	2.05	3.985/4.015	4.50	0.75	1.19	1.94
	40mm	19.1	82.6	49.3	52.1	101.22/101.98	114.3	19.1	30.2	49.3
209	1-11/16	0.75	3.25	1.94	2.22	3.985/4.015	4.75	0.75	1.19	1.94
	1-3/4	19.1	82.6	49.3	56.4	101.22/101.98	120.7	19.1	30.2	49.3
210	45mm	19.1	82.6	49.3	56.4	101.22/101.98	120.7	19.1	30.2	49.3
	1-15/16	0.75	3.25	1.94	2.43	3.985/4.015	4.75	0.75	1.19	1.94
210	2	19.1	82.6	49.3	61.7	101.22/101.98	120.7	19.1	30.2	49.3
	50mm	19.1	82.6	49.3	61.7	101.22/101.98	120.7	19.1	30.2	49.3
211	2	1.00	4.00	2.50	2.71	5.110/5.140	5.88	0.87	1.35	2.50
	2-3/16	25.4	101.6	63.5	68.8	129.79/130.56	149.4	22.1	34.3	63.5
211	55mm	25.4	101.6	63.5	68.8	129.79/130.56	149.4	22.1	34.3	63.5

FEATURES/BENEFITS PAGE B8-2	HOW TO ORDER/NOMENCLATURE PAGE B4-5	EASY SELECTION PAGE B8-3	ACCESSORIES PAGE B8-26
--------------------------------	--	-----------------------------	---------------------------